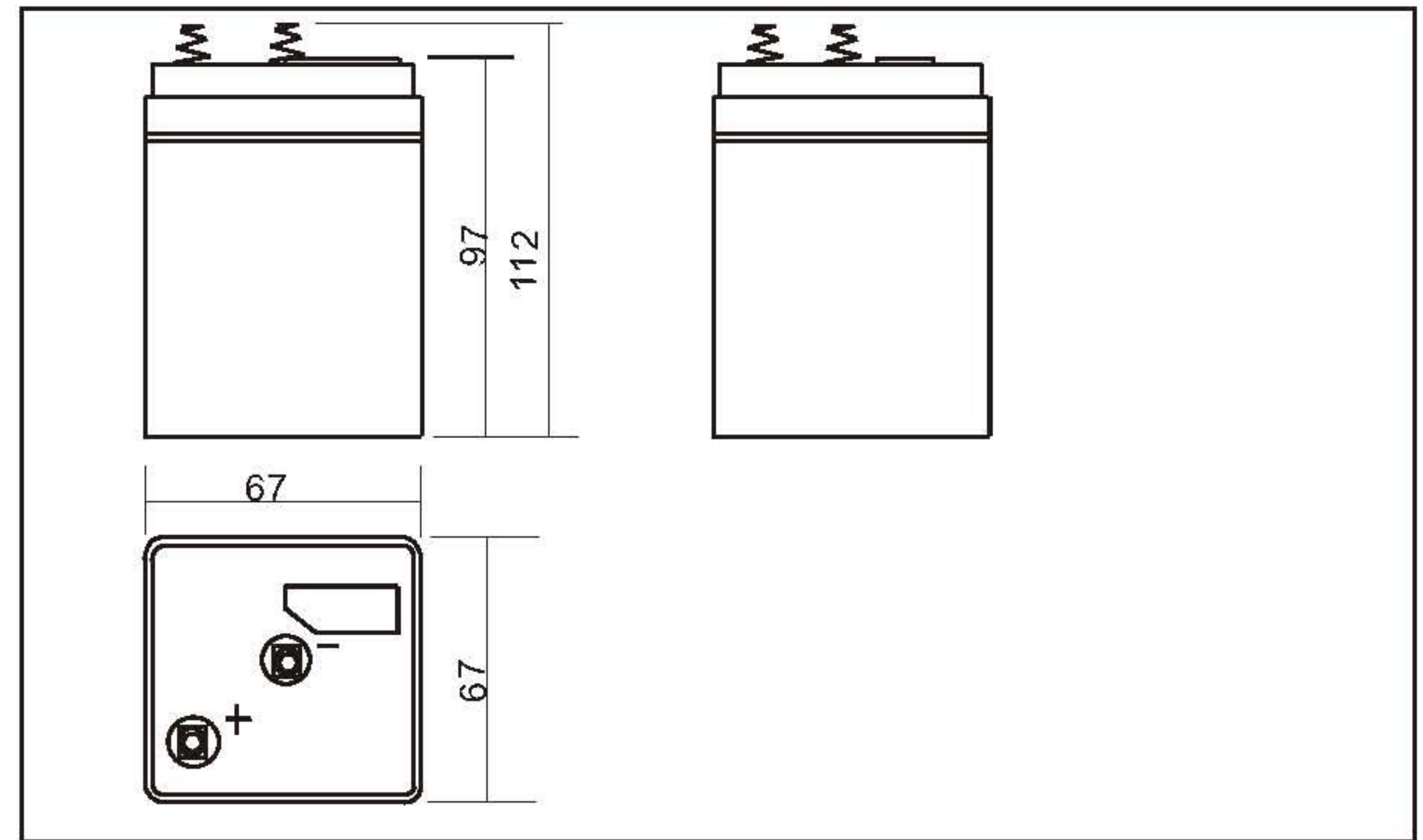


6V5.0AH



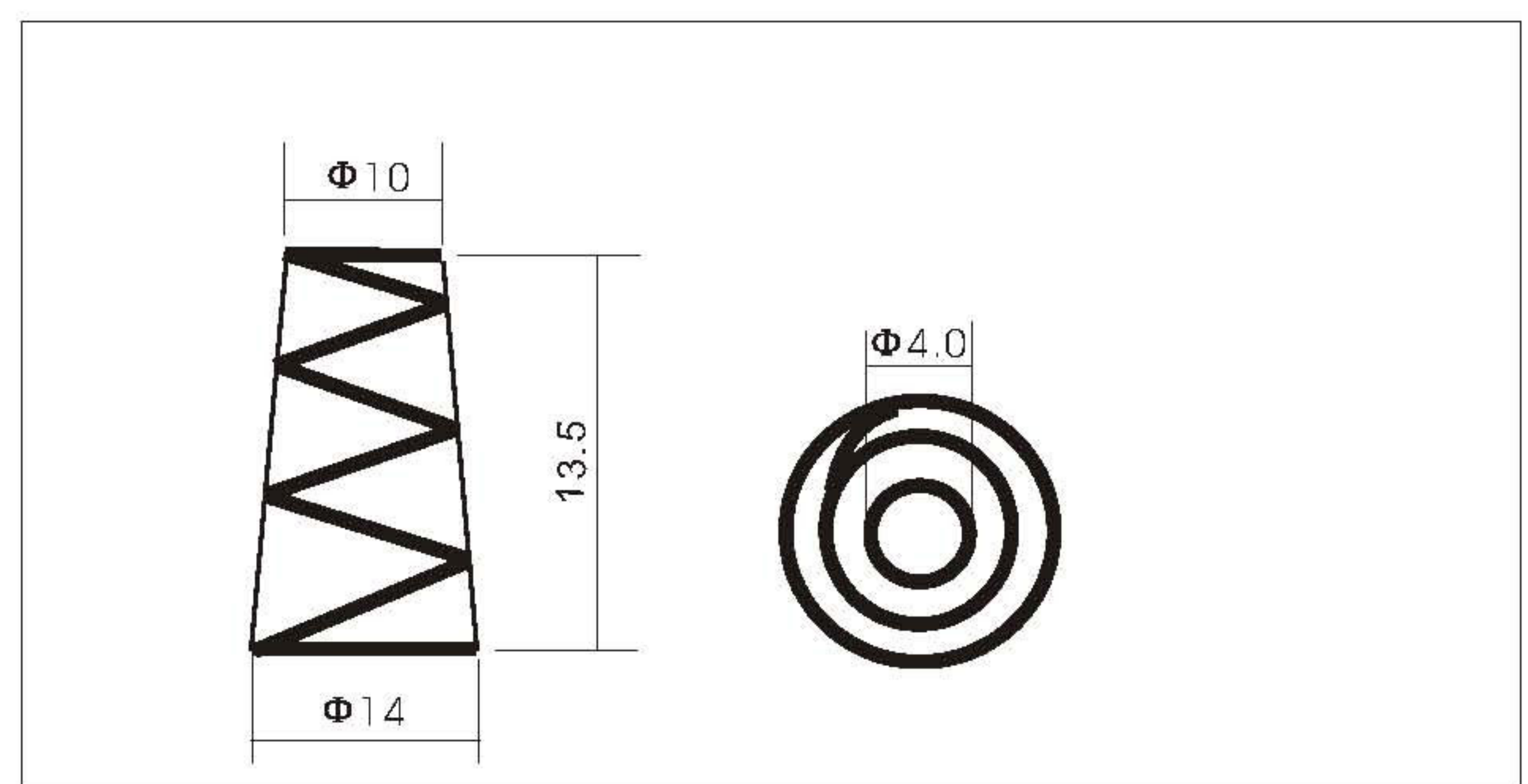
● Outer dimensions (mm)



● Specifications

Nominal Voltage		6 V
Rated capacity (20hour rate)		5.0 Ah
Dimensions	Total Height	112mm(4.41 inches)
	Height	97 mm(3.82inches)
	Length	67mm(2.636 inches)
	Width	67 mm(2.63 inches)
Weight Approx		0.82 Kg(1.80lbs)

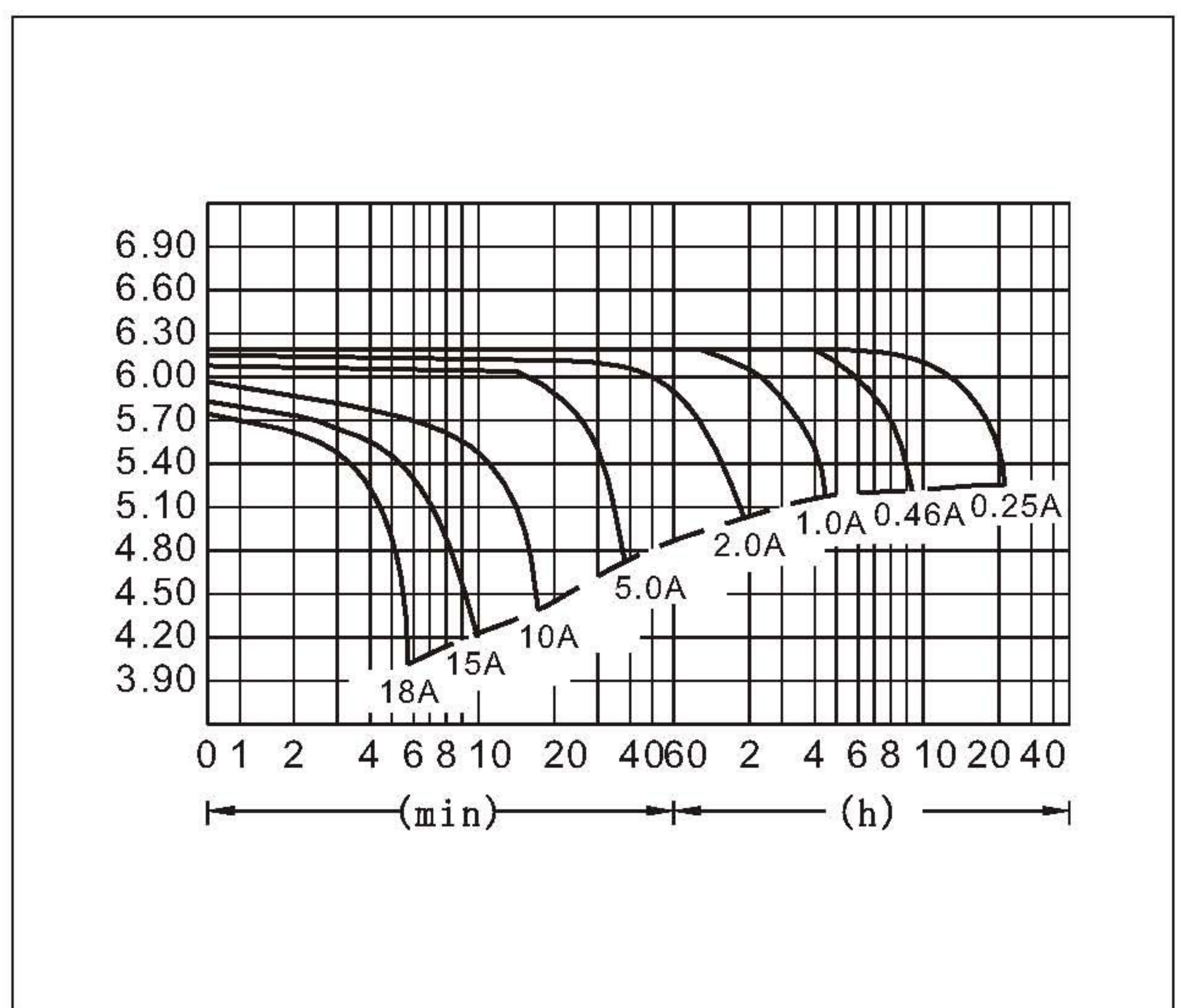
● Terminal Type (mm)



● Characteristics

Capacity 25°C(77°F)	20 hour rate(0.25A)	5.00 AH
	10 hour rate(0.46A)	4.60 AH
	5 hour rate(0.85A)	4.25 AH
	1 hour rate(3.00A)	3.00 AH
	1.5 hour discharge to 5.25 V	2.0 A
Internal Resistance	Full charged Battery at 25°C(77°F)	16 mΩ
Capacity affected by Temperature (20hour rate)	40°C(104°F)	102%
	25°C(77°F)	100%
	0°C(32°F)	85%
	-15°C(5°F)	65%
Self-Discharge at 25°C(77°F)	Capacity after 3 month storage	91%
	Capacity after 6 month storage	82%
	Capacity after 12 month storage	64%
Terminal		Spring
Charge (constant Voltage)	Cycle	Initial Charging Current less than 2.0A Voltage 7.05-7.20V
	Float	Voltage 6.75-6.90V

● Discharge Curves 25°C(77°F)



Constant Current(Amp) and Constant Power(Watt) Discharge Table at 25°C(77°F)

Time		5min	10min	15min	30min	1h	2h	3h	4h	5h	8h	10h	20h
4.80V	A	18.0	11.8	8.75	5.75	3.00	1.75	1.29	1.03	0.88	0.58	0.47	0.258
	W	93.4	63.4	46.9	30.9	16.2	9.61	7.16	5.81	4.99	3.32	2.73	1.502
5.10V	A	16.5	11.3	8.04	5.46	2.82	1.68	1.25	1.00	0.86	0.57	0.46	0.252
	W	88.6	63.1	45.0	30.6	15.9	9.68	7.24	5.81	5.02	3.33	2.73	1.478
5.25V	A	15.0	10.6	7.50	5.29	2.73	1.65	1.23	0.95	0.85	0.56	0.46	0.250
	W	82.5	60.0	42.8	30.4	15.8	9.54	7.16	5.56	4.98	3.31	2.72	1.478
5.40V	A	14.4	10.1	7.00	5.15	2.63	1.60	1.21	0.93	0.81	0.55	0.45	0.244
	W	81.0	58.1	40.3	29.8	15.3	9.39	7.12	5.51	4.80	3.25	2.66	1.452
5.55V	A	13.4	9.50	6.50	5.00	2.54	1.56	1.15	0.92	0.78	0.53	0.44	0.238
	W	75.7	55.0	37.8	29.3	14.9	9.23	6.81	5.46	4.64	3.19	2.64	1.439