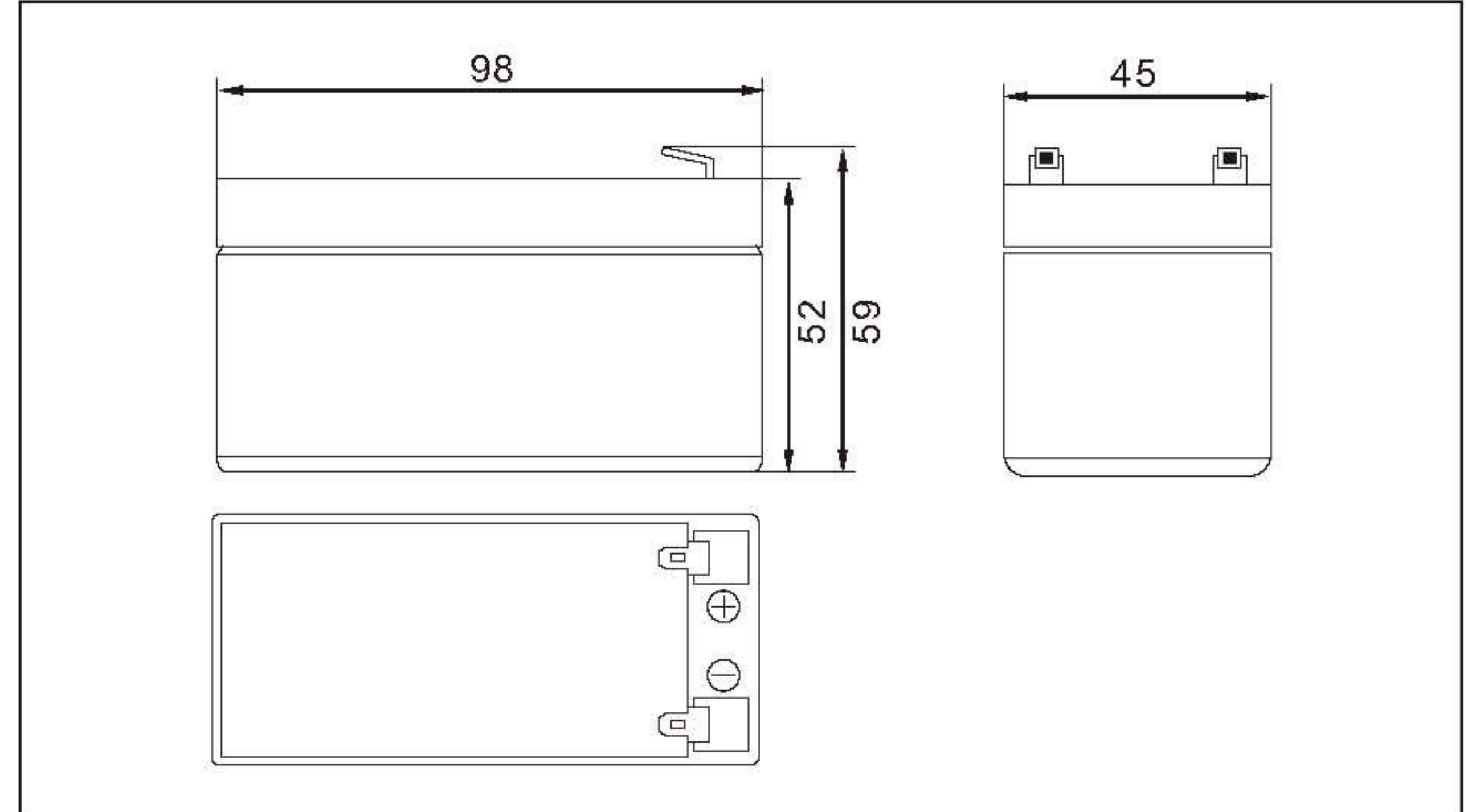


# 12V1.3AH



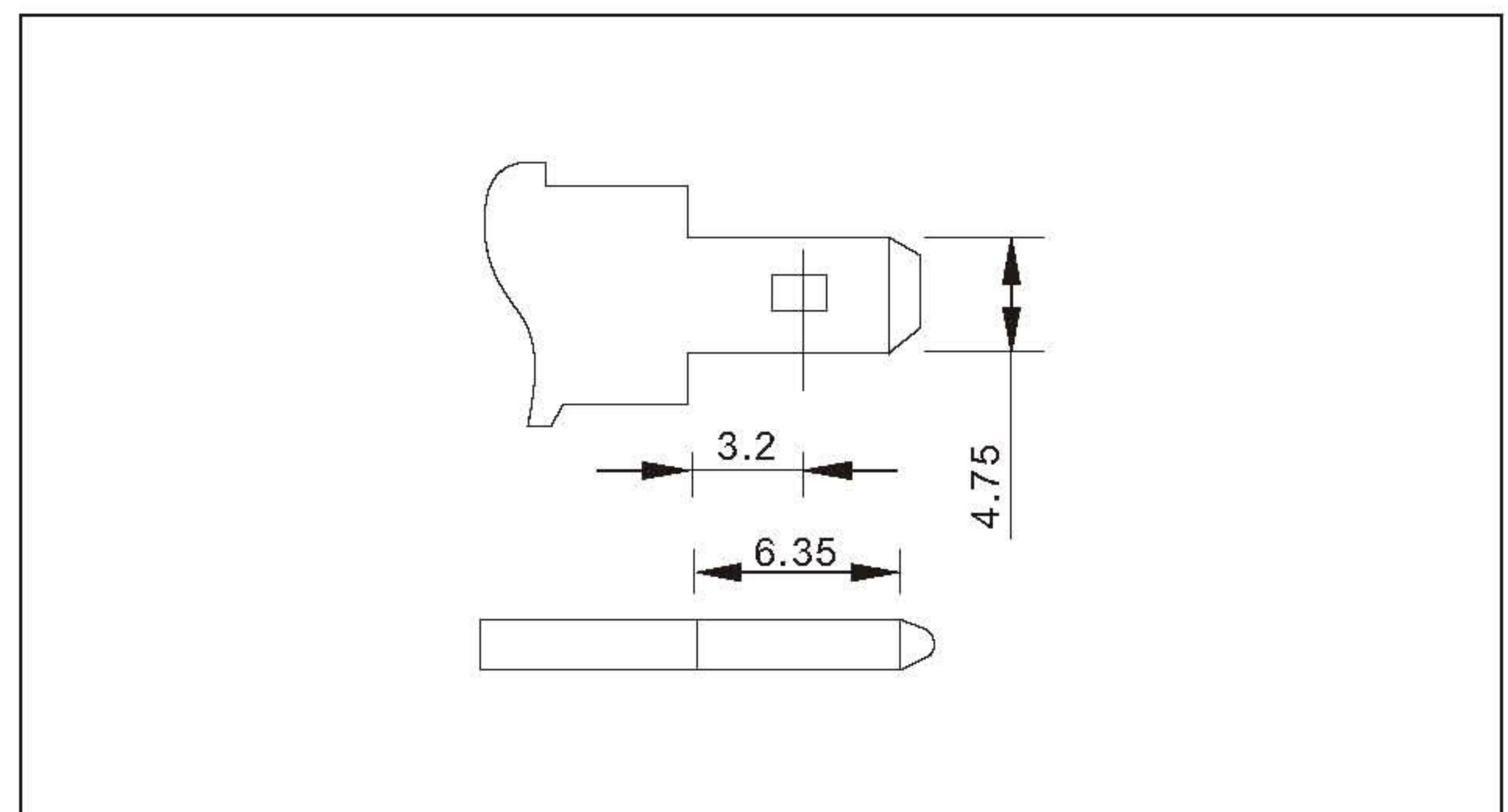
## Outer dimensions (mm)



## Specifications

Nominal Voltage	12V	
Rated capacity (20hour rate)	1.3Ah	
Dimensions	Total Height	59mm (2.32inches)
	Height	52mm (2.05inches)
	Length	98mm (3.86inches)
	Width	45mm (1.77inches)
Weight Approx	0.58Kg (1.28lbs)	

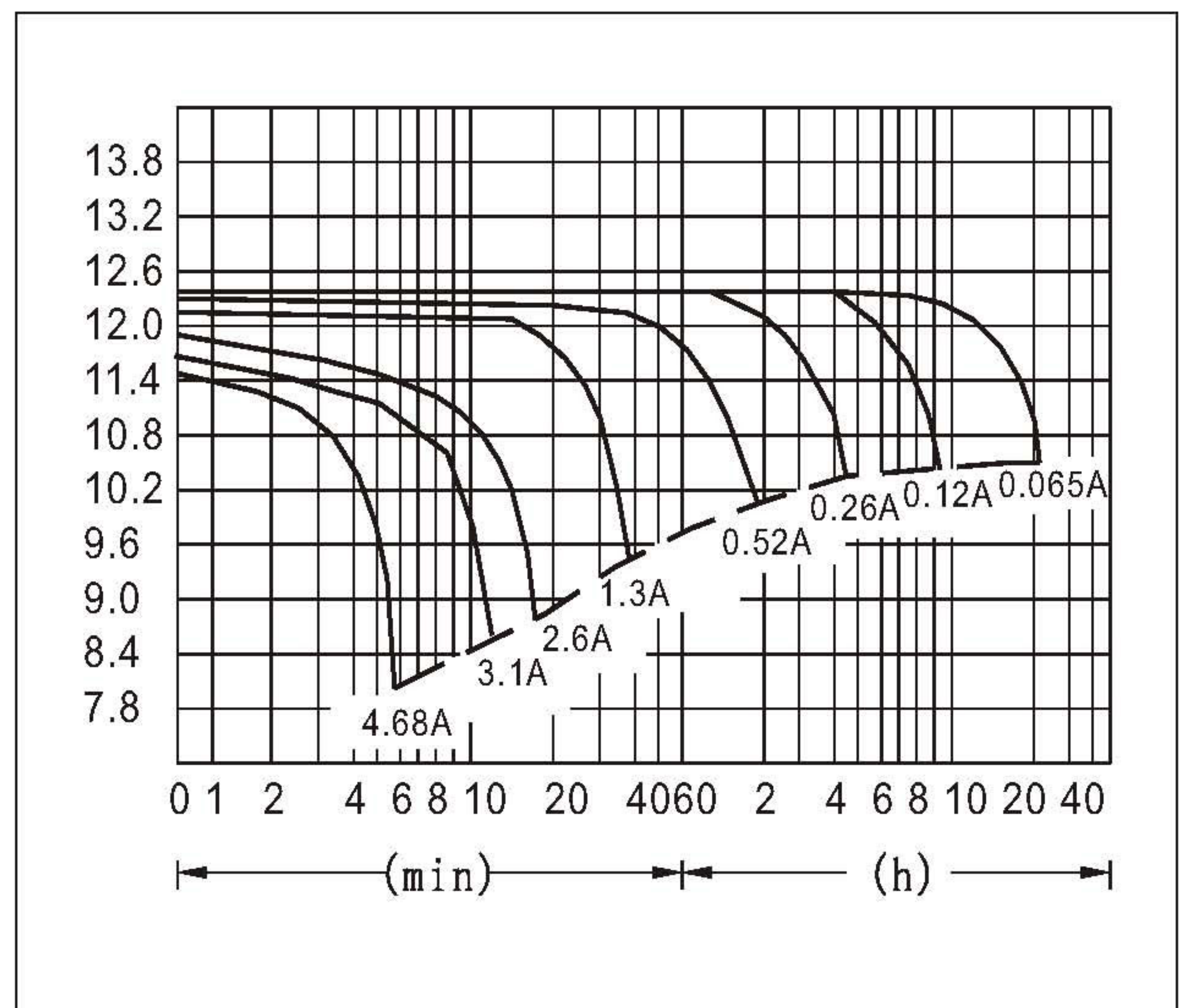
## Terminal Type (mm)



## Characteristics

Capacity 25°C(77°F)	20 hour rate(0.065A)	1.30 AH
	10 hour rate(0.12A)	1.20 AH
	5 hour rate(0.22 A)	1.10 AH
	1 hour rate(0.78 A)	0.78 AH
	1.5 hour discharge to 10.5V	0.52 A
Internal Resistance	Full charged Battery at 25°C(77°F)	65 mΩ
Capacity affected by Temperature (20hour rate)	40°C(104°F)	102%
	25°C(77°F)	100%
	0°C(32°F)	85%
	-15°C(5°F)	65%
Self-Discharge at 25°C(77°F)	Capacity after 3 month storage	91%
	Capacity after 6 month storage	82%
	Capacity after 12 month storage	64%
Terminal	T0	
Charge (constant Voltage)	Cycle	Initial Charging Current less than 0.52A Voltage 14.40-15.00V
	Float	Voltage 13.50-13.80V

## Discharge Curves 25°C(77°F)



**Constant Current(Amp) and Constant Power(Watt) Discharge Table at 25°C(77°F)**

Time	5min	10min	15min	30min	1h	2h	3h	4h	5h	8h	10h	20h
9.60V	A	4.68	3.07	2.28	1.50	0.78	0.46	0.33	0.27	0.23	0.15	0.067
	W	48.6	33.0	24.4	16.1	8.42	5.00	3.73	3.02	2.59	1.73	0.781
10.20V	A	4.29	2.94	2.09	1.42	0.73	0.44	0.33	0.26	0.22	0.15	0.066
	W	46.1	32.8	23.4	15.9	8.28	5.03	3.76	3.02	2.61	1.73	0.769
10.50V	A	3.91	2.74	1.95	1.38	0.71	0.43	0.32	0.25	0.22	0.15	0.065
	W	42.9	31.2	22.3	15.8	8.20	4.96	3.72	2.89	2.61	1.72	0.768
10.80V	A	3.75	2.62	1.82	1.34	0.68	0.42	0.31	0.24	0.21	0.14	0.063
	W	42.1	30.2	21.0	15.5	7.97	4.88	3.70	2.87	2.50	1.69	0.755
11.10V	A	3.47	2.47	1.69	1.30	0.66	0.41	0.30	0.24	0.20	0.14	0.062
	W	39.4	28.6	19.7	15.2	7.77	4.80	3.54	2.84	2.41	1.66	0.748