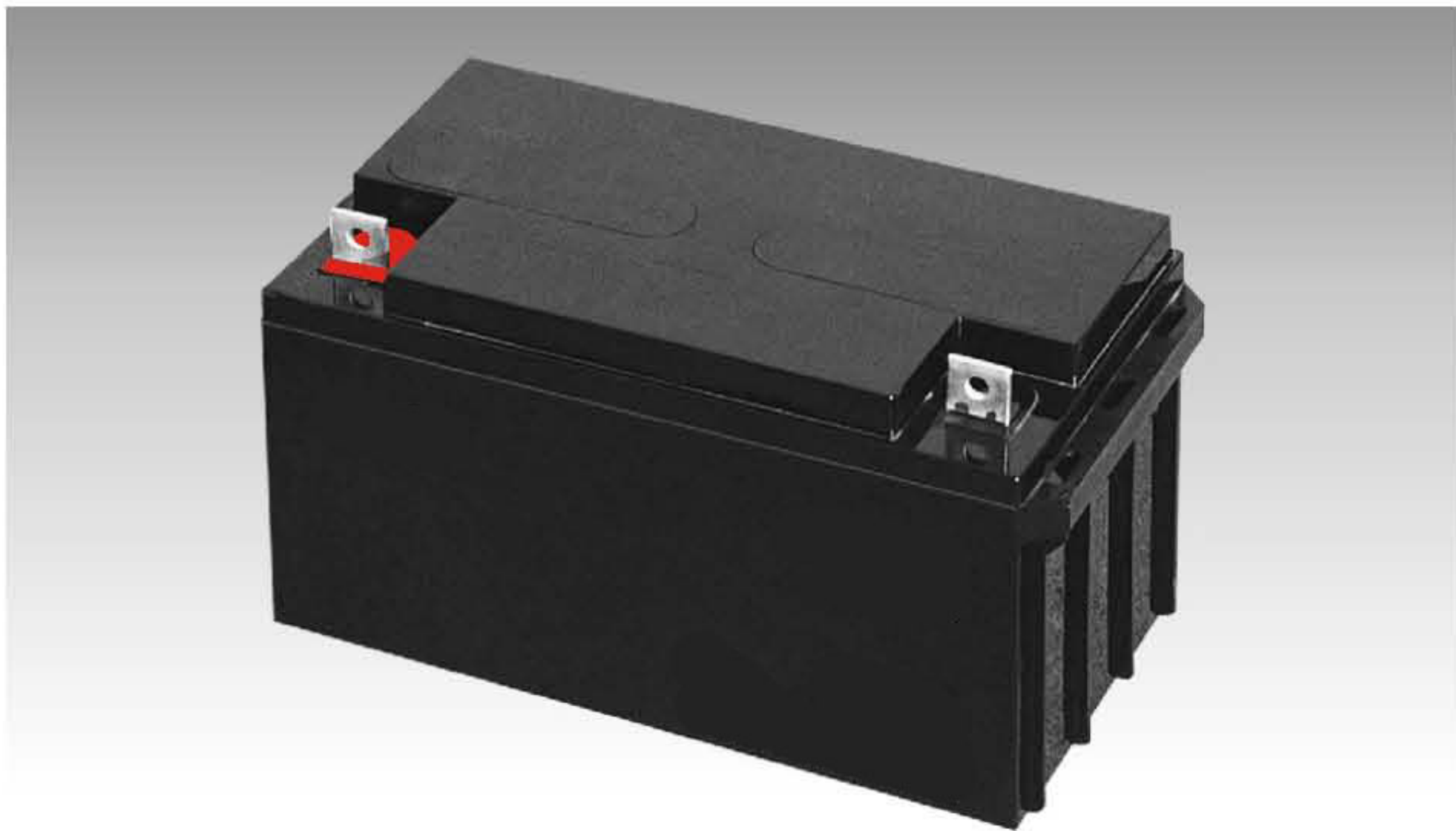
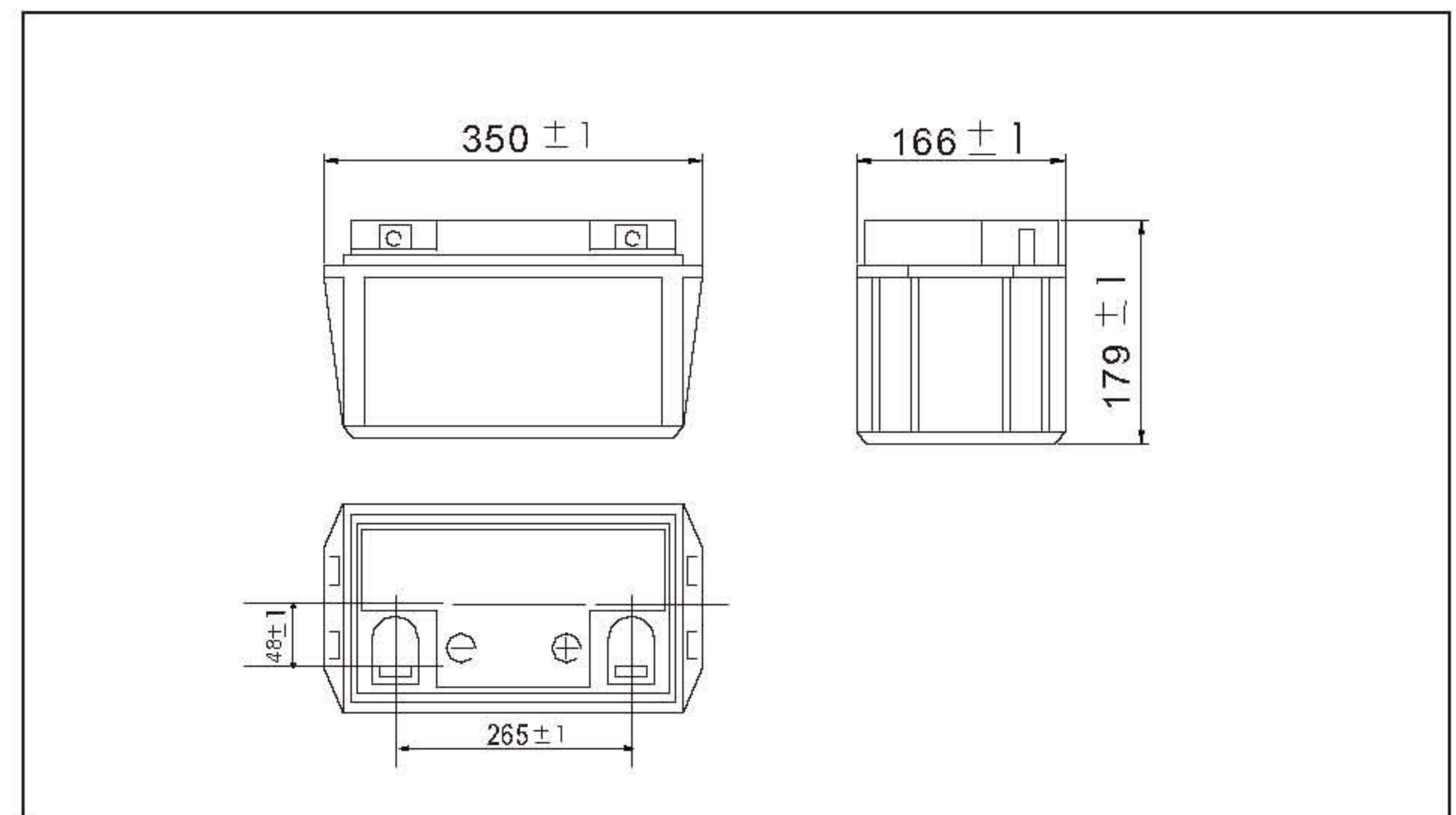


12V70AH



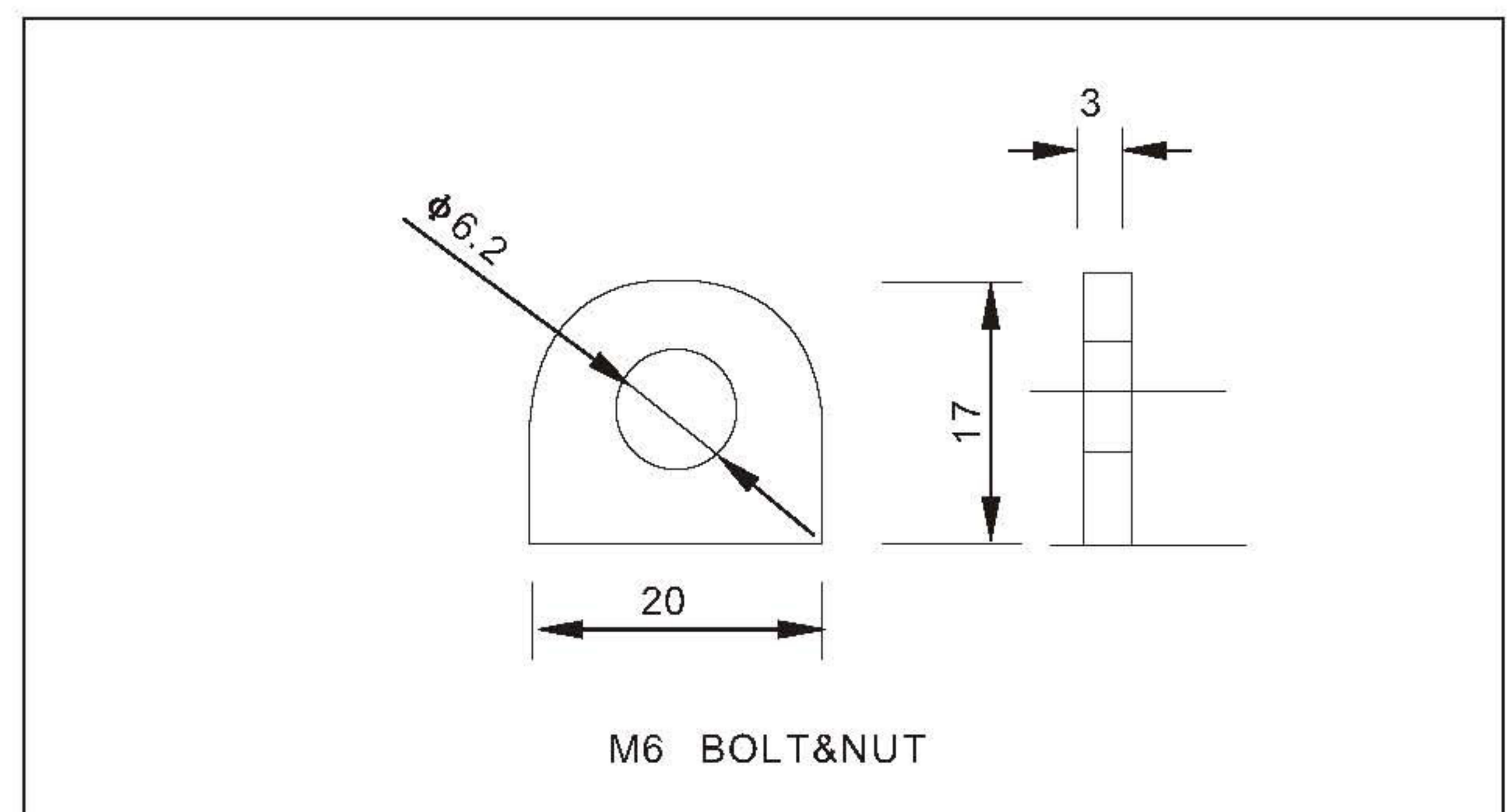
● Outer dimensions (mm)



● Specifications

Nominal Voltage		12V
Rated capacity (10 hour rate)		70 Ah
Dimensions	Total Height	179 mm (7.05 inches)
	Height	179 mm (7.05 inches)
	Length	350 mm (13.8 inches)
	Width	166mm (6.54 inches)
Weight Approx		22 Kg (48.5 lbs)

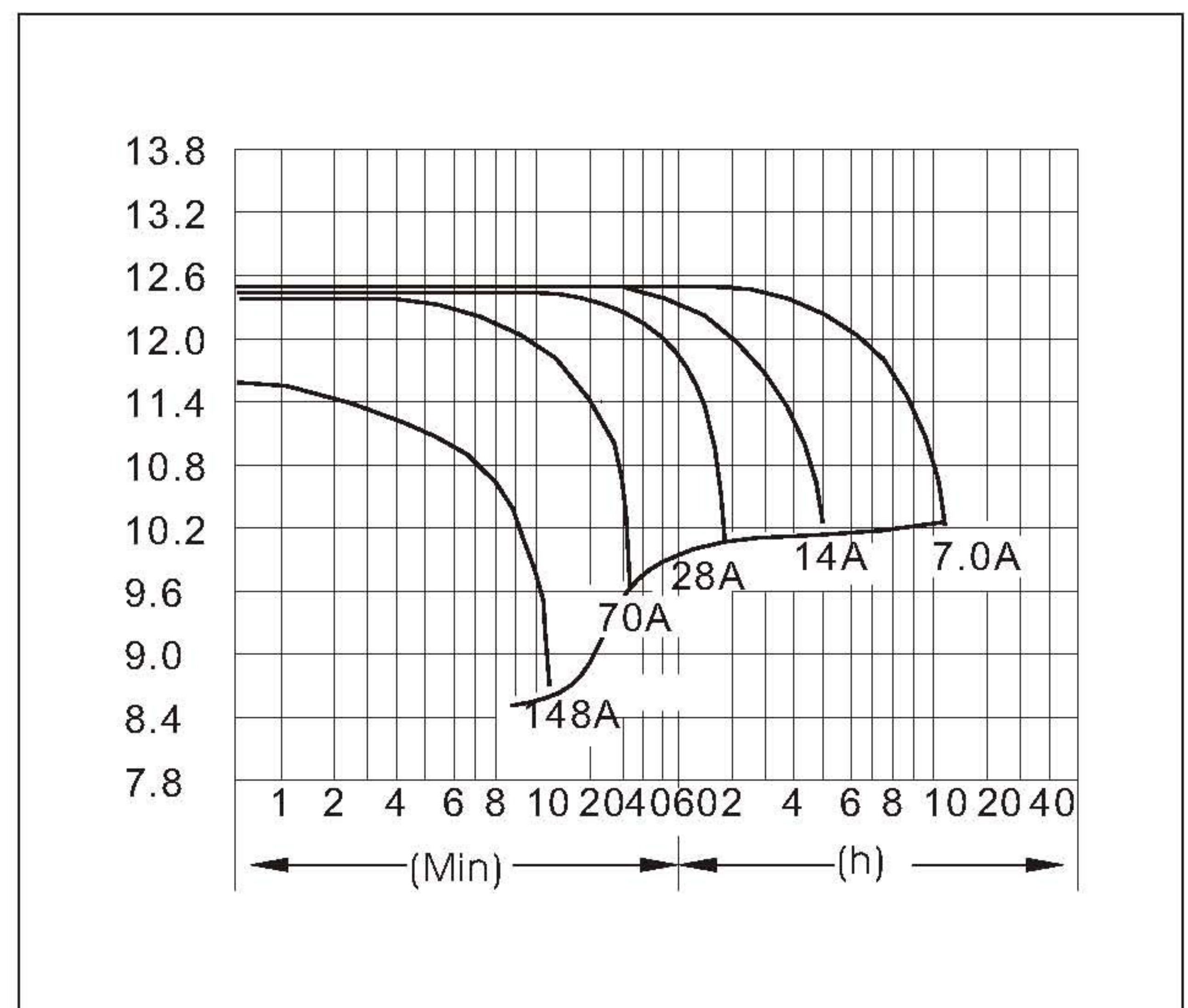
● Terminal Type (mm)



● Characteristics

Capacity 25°C(77°F)	10 hour rate(6.5 A)	70 AH
	5 hour rate(11.2 A)	56 AH
	1 hour rate(42.0 A)	42 AH
	1.5 hour discharge to 10.5V	28 A
Internal Resistance	Full charged Battery at 25°C(77°F)	5 mΩ
Capacity affected by Temperature (10hour rate)	40°C(104°F)	102%
	25°C(77°F)	100%
	0°C(32°F)	85%
	-15°C(5°F)	65%
Self-Discharge at 25°C(77°F)	Capacity after 3 month storage	91%
	Capacity after 6 month storage	82%
	Capacity after 12 month storage	64%
Terminal	T9	
Charge (constant Voltage)	Cycle	Initial Charging Current less than 28 A Voltage 14.10-14.40V
	Float	Voltage 13.50-13.80V

● Discharge Curves 25°C(77°F)



Constant Current(Amp) and Constant Power(Watt) Discharge Table at 25°C(77°F)

Time		5min	10min	15min	30min	1h	2h	3h	4h	5h	8h	10h	20h
9.60V	A	224	148	119	79.8	42.0	24.5	18.0	14.0	11.6	8.19	7.35	3.97
	W	2314	1577	1277	858	454	269	200	158	131	94	85	46.2
10.20V	A	217	133	112	76.3	39.5	23.4	17.5	13.7	11.3	7.98	7.21	3.85
	W	2319	1488	1255	857	447	269	203	159	132	93	85	45.2
10.50V	A	210	119	98	71.4	38.2	22.8	17.1	13.4	11.2	7.91	7.07	3.85
	W	2294	1356	1119	822	443	265	199	157	131	93	84	45.5
10.80V	A	202	112	91	65.8	37.0	22.3	16.7	13.2	10.9	7.70	7.00	3.78
	W	2271	1296	1050	762	430	261	196	156	129	91	83	45.0
11.10V	A	196	105	84	58.8	35.7	21.7	16.1	12.9	10.6	7.49	6.65	3.57
	W	2219	1219	979	688	420	256	191	153	127	90	80.3	43.3