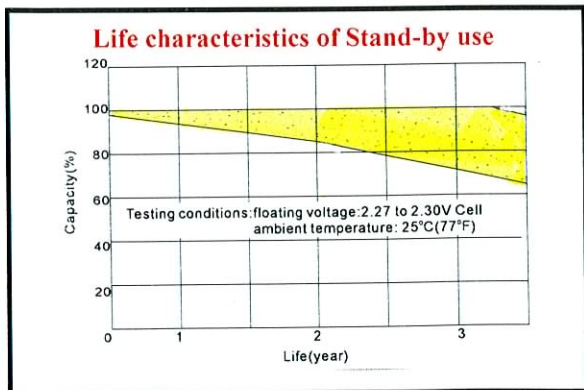
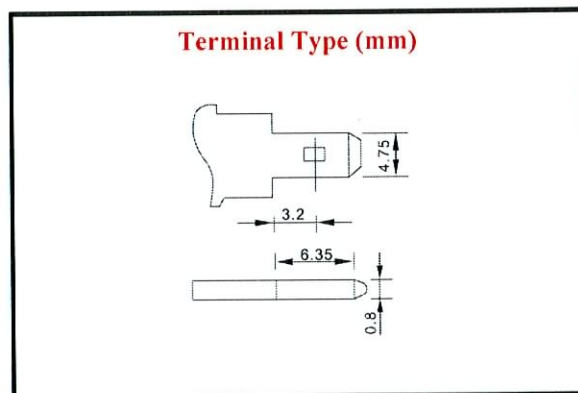
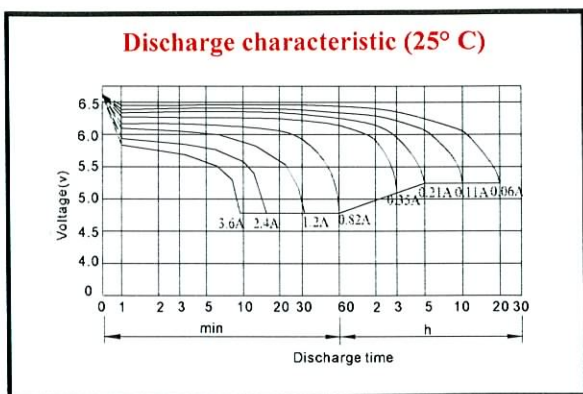
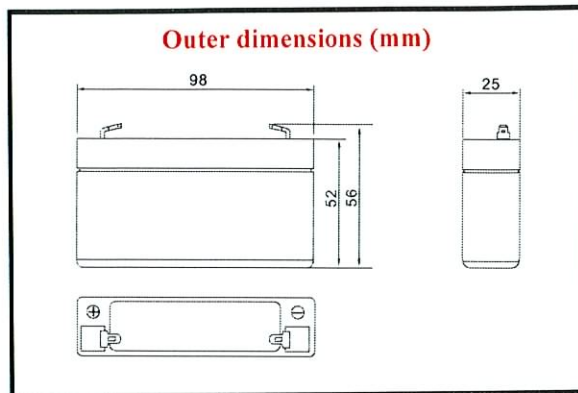
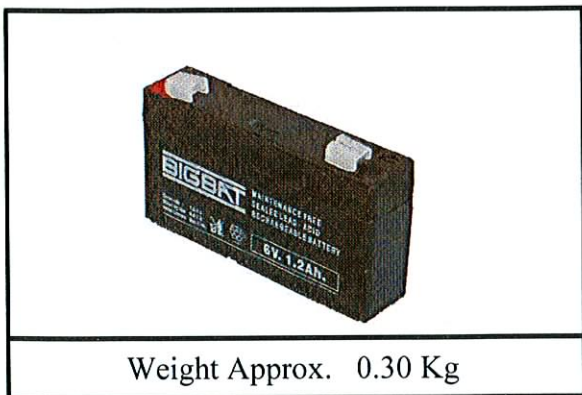


# BIGBAT

# 6V. 1.2 Ah.



**Characteristics**

|   |   |  |
|---|---|--|
| Capacity<br>25° C (77° F)                       | 20 hour rate (0.06 A)<br>10 hour rate (0.11 A)<br>5 hour rate (0.21 A)<br>1 hour rate (0.82 A)      | 1.20 AH<br>1.10 AH<br>1.05 AH<br>0.82 AH                           |
|   | 1.5 hour discharge to 5.25V   | 0.50 A   |
| Internal Resistance                             | Full charged battery at 25° C (77° F)   | 37 m Ω   |
| Capacity effected by temperature (20 hour rate) | 40° C (104° F)<br>25° C (77° F)<br>0° C (32° F)<br>-15° C (5° F)                                    | 102 %<br>100 %<br>85 %<br>65 %                                     |
| Self-discharge at 25° C (77° F)                 | Capacity after 3 month storage<br>Capacity after 6 month storage<br>Capacity after 12 month storage | 91 %<br>82 %<br>64 %   |
| Charge (constant voltage)                       | Cycle   | Initial charging current less than 0.40 A<br>Voltage 7.30 – 7.50V. |
|   | Float   | Voltage 6.90 – 7.00V.  |

